



ICSOBA 2024

Bayer Process Short Course



© Krom Galerie

24 - 26 October 2024

Lyon, France

www.icsoba.org

INVITATION

The International Committee for Study of Bauxite, Alumina & Aluminium (ICSOBA) has the honour to announce the **1st Bayer Process Short Course** to be organised before the **42nd ICSOBA International Conference and Exhibition**.

The course will be held at the hotel **Marriott Lyon Cite Internationale**, Lyon from **24 to 26 October 2024**.

The 3-day course will provide a comprehensive understanding of the Bayer process and an overview of the state-of-the-art alumina production.

Lectures highlight latest development in the context of decarbonisation and digitalisation challenges of our industry.

WHO ATTENDS?

Process engineers, technical and project managers, supervisors, operators of Bayer refineries, developers of technology and anyone with an interest in deeper understanding of alumina production.

THE COURSE

The course offers a theoretical overview of the Bayer process, the state-of-the-art technology and equipment to produce alumina, as well as practical aspects of alumina production.

Attendees will acquire a deeper understanding of the process steps from bauxite ore to smelter grade alumina, in a three-day program exploring the red side, white side and final product aspects of the alumina industry.

COURSE TOPICS

- Bayer process introduction
- Bauxite deposits and mining
- Bauxite and alumina characterisation
- Crushing and grinding
- Desilication and Digestion Chemistry
- Digestion equipment and operation
- Security filtration, thickening and washing.
- Red mud handling (incl. filtration and stacking)
- Bauxite Residue (red mud) reuse
- Alumina precipitation chemistry
- Alumina precipitation equipment
- Water balance/evaporation
- Alumina calcination
- Impurity control
- Energy in the Bayer process
- Heat and Mass balance
- Process control, automation and digitalisation
- Controlling hydrate quality
- SGA quality and the key properties
- SGA quality from customer perspective
- Special grades of hydrate and alumina
- Alternative processes and raw materials
- Refinery of the future

PRESENTERS

Denis Audet

Christos Apostolakis

Thymis Balomenos

György Bánvölgyi

Stephan Beaulieu

Mehani Boufedji

Raphael Costa

Frank Feret

Laurent Guillaumont

Pungkuntran Jaganathan

Kostas Hatzikyriakidis

Tassos Kladis

Arnaud Lafaurie

Steven Lindsay

Andrey Panov

Jean Marc Rousseaux

LANGUAGE

The language of the course and notes is English.

COURSE FEE

The course fee is:

- ICSOBA corporate members
 - Before 30 September USD 1 500.00
 - After 30 September USD 1 700.00
- Non-members
 - Before 30 September USD 1 700.00
 - After 30 September USD 1 900.00

The course fee includes:

- 3-day course
- Course notes in pdf file
- Daily lunches
- Refreshment breaks
- Closing dinner

Deadline to register is **15 October 2024**.

A cancellation received before 15 October 2024 will be fully refunded minus a 50 USD processing fee. No refunds will be processed after 15 October 2024.

Register soon – there are a limited number of seats available!!!

HOW TO REGISTER

To register please contact Dagoberto Severo at: dagoberto.severo@icsoba.org

ACCOMODATION

Special rates are available to course participants who stay at the **Marriott Lyon Cite Internationale** Hotel. Please contact us to receive the instructions of how to book the room.

ABOUT THE ORGANISER



The International Committee for Study of Bauxite, Alumina and Aluminium (ICSOBA) is an independent non-profit association that unites industry individual and corporate members representing major bauxite, alumina and aluminium producing companies, technology suppliers, researchers, and consultants from around the world. The main objective of ICSOBA is to promote the exchange of ideas and results of the work from different fields of research and current practice from bauxite mine to primary aluminium.

Since 1963, now for 61 years, ICSOBA annual technology conference is organized in different parts of the world and proceedings are published as TRAVAUX volumes.

The vision of ICSOBA to become the “Technology Conference of the Aluminium Industry, for the Aluminium Industry” has received support of 45+ major companies who are participating in the yearly ICSOBA Corporate Member Council to voice their view and influence ICSOBA strategy. As a company active in the aluminium industry, you are most welcome to join the Council <https://icsoba.org/corporate/>

CONTACT US

For more information, please contact us at efthymios.balomenos@icsoba.org

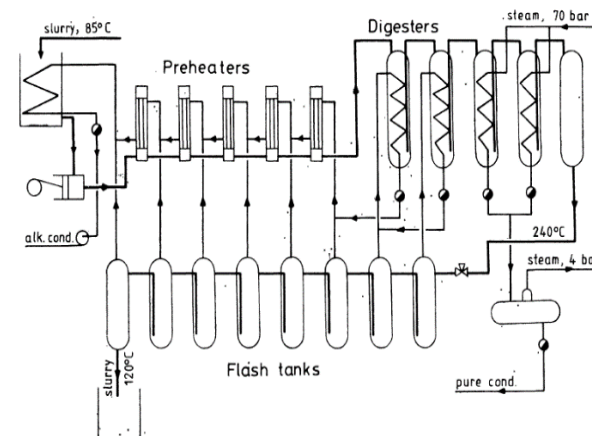
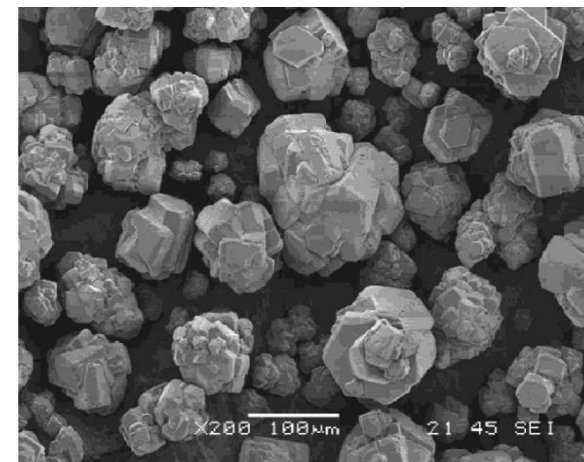
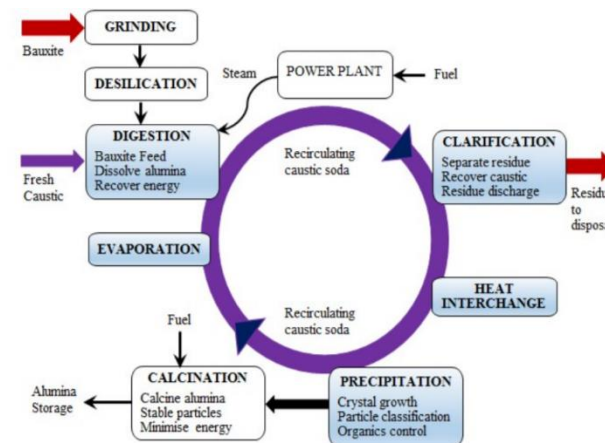


Fig. 9. Digestion line